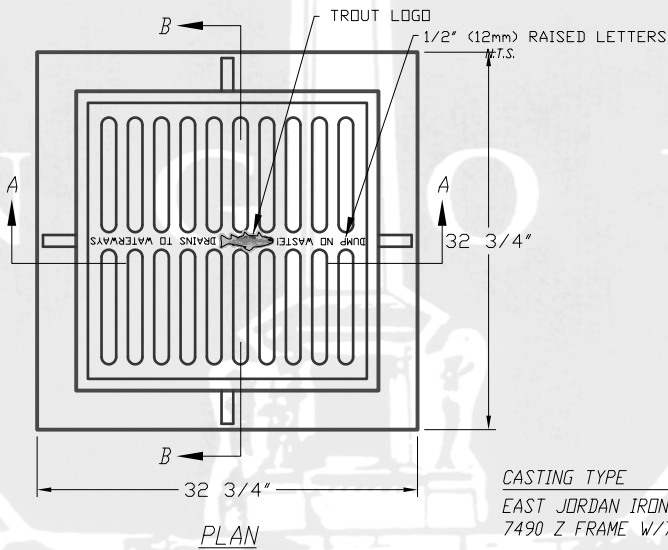
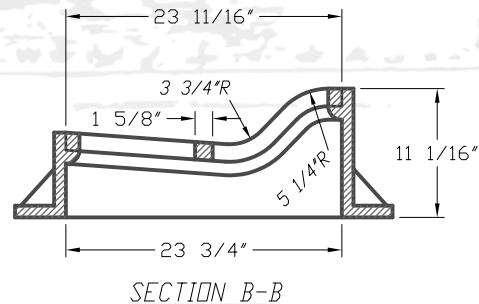
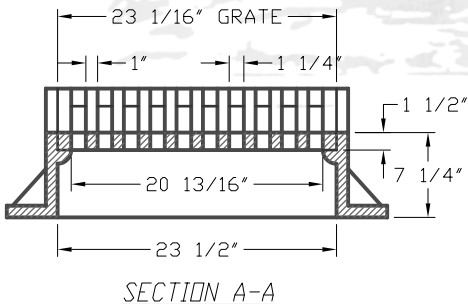


EAST JORDAN IRON WORKS CATCH
BASIN CURB INLET MODEL #7010
W/ TYPE T1 BACK AND M3
SINUSOIDAL GRATE. TOTAL
WEIGHT = 390 LBS.

INLET AND CATCH BASIN CASTING



CASTING TYPE
EAST JORDAN IRON WORKS
7490 Z FRAME W/7490M1 GRATE



N.T.S.

MOUNTABLE CONCRETE CURB AND INLET