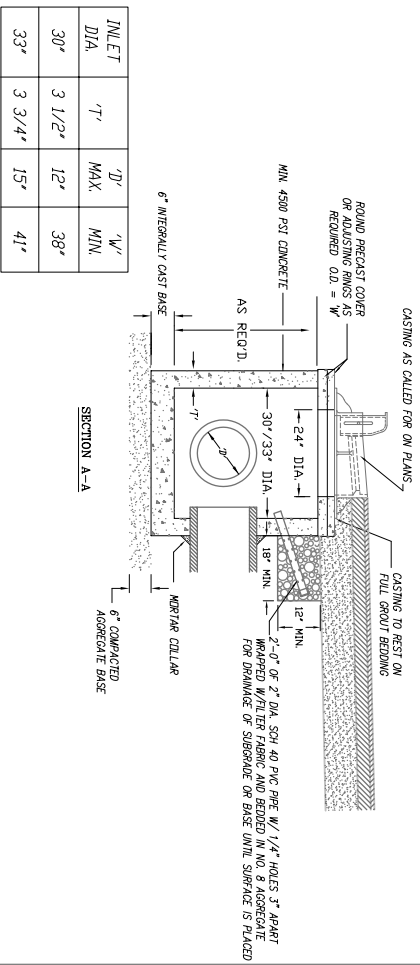
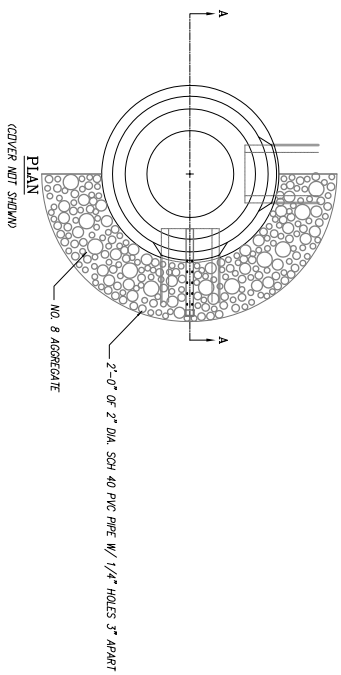
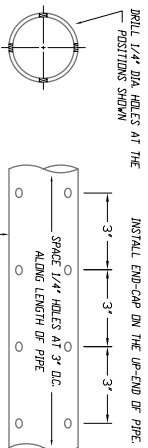


STANDARD INLET W/SUBSURFACE DRAIN



STANDARD INLET

N.T.S.

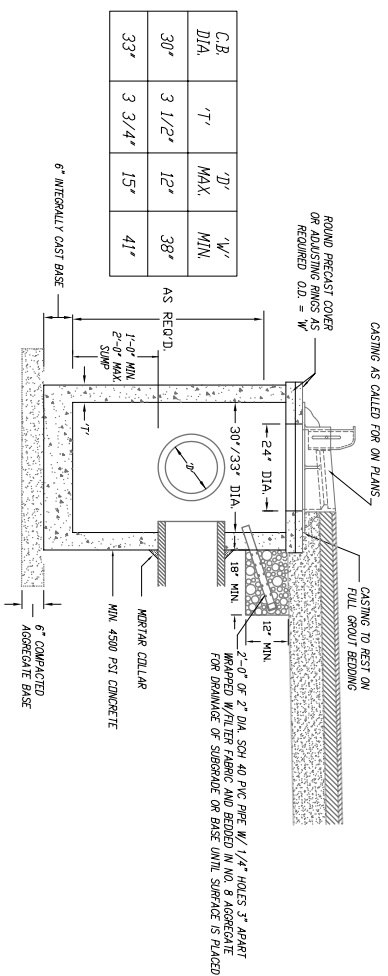
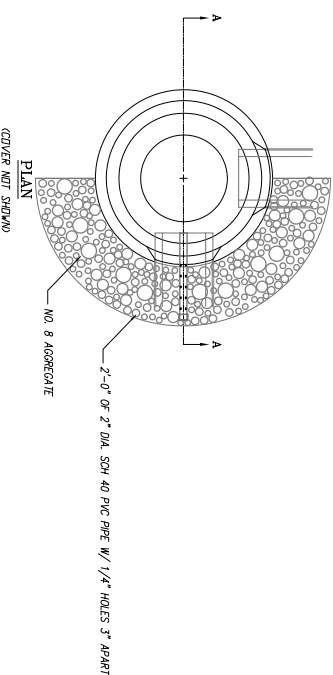


PERFORATED PIPE DETAIL

M.S.

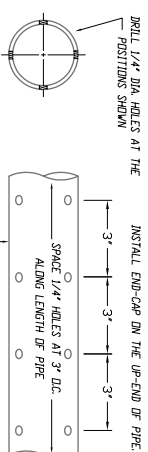
514.03

STANDARD CATCH BASIN W/SUBSURFACE DRAIN



STANDARD CATCH BASIN

N.T.S.



PERFORATED PIPE DETAIL

M.S.

514.03