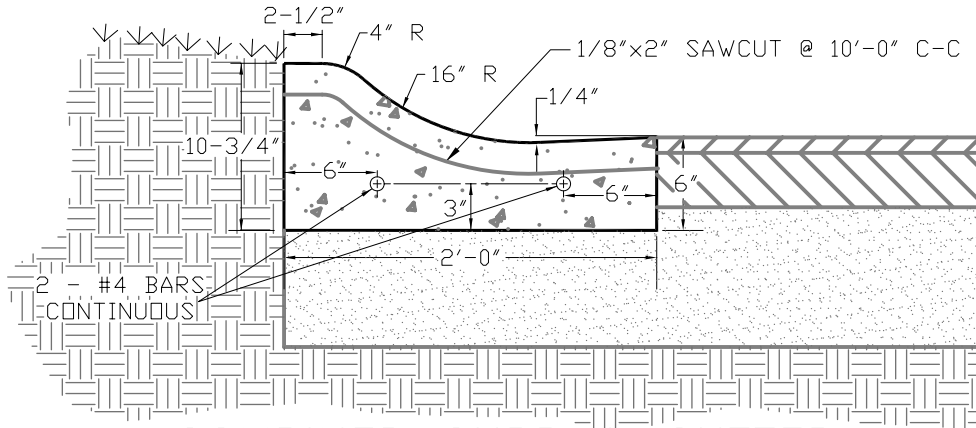


# CITY OF ANGOLA

## CONCRETE CURB & GUTTER STANDARDS

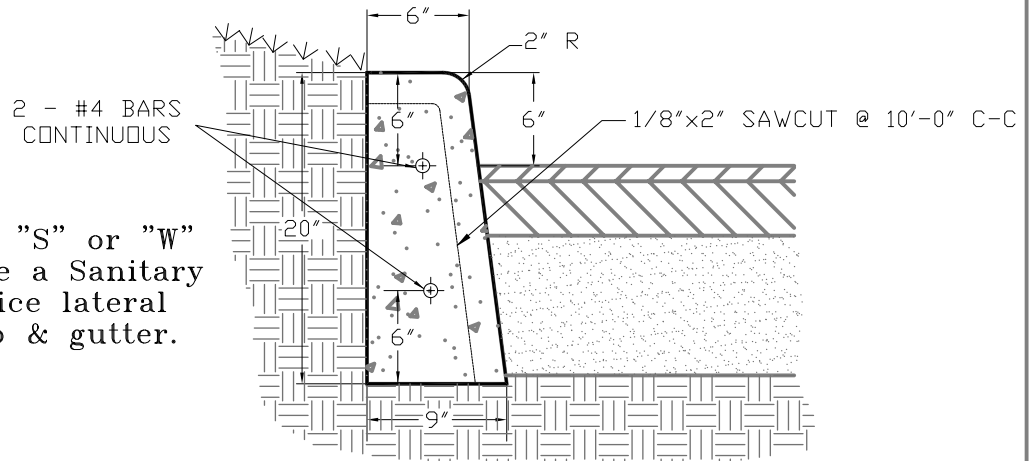
NOTE: ALL CONCRETE MUST BE INDOT CLASS A (4000 PSI CONCRETE)

1/2" PREFORMED EXPANSION JOINT REQUIRED AT THE BEGINNING AND END OF ALL RADII AND CURVES WITH SPACING ON STRAIGHT-AWAYS AND LONG CURVES NOT TO EXCEED 200 FEET.



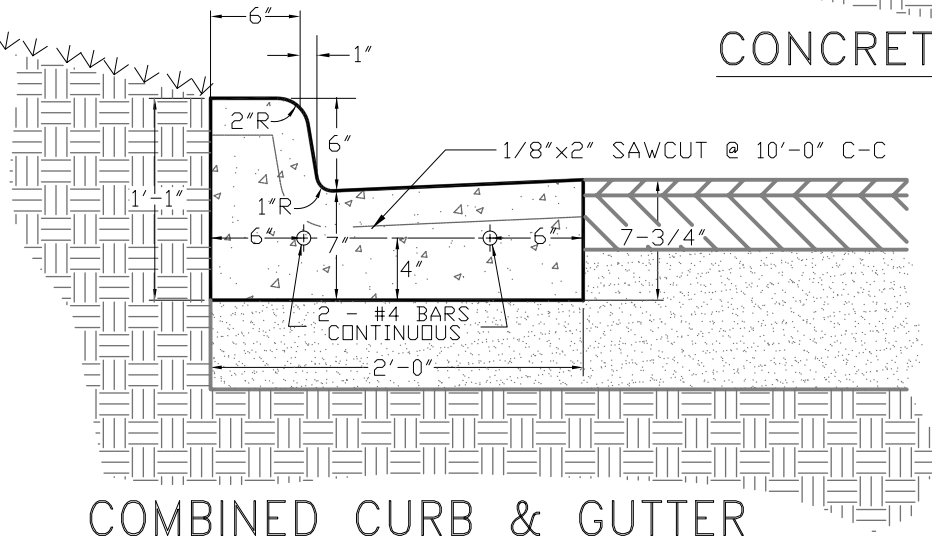
**COMBINED CURB & GUTTER**

NTS  
( MOUNTABLE )



**CONCRETE CURB DETAIL**

( BARRIER )  
NTS



**COMBINED CURB & GUTTER**

( BARRIER )  
NTS

NOTE:  
Top of Curb to be stamped "S" or "W"  
at all locations above where a Sanitary  
Sewer lateral or Water Service lateral  
cross under a curb or curb & gutter.