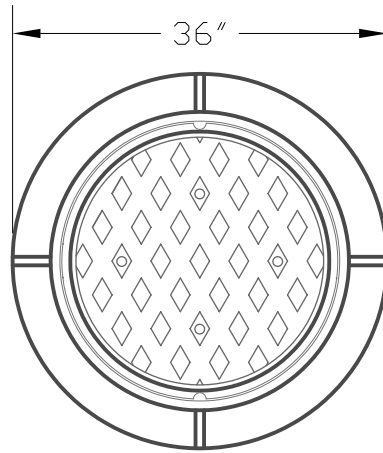
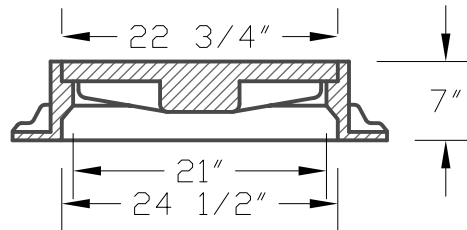


MANHOLE FRAME & COVER



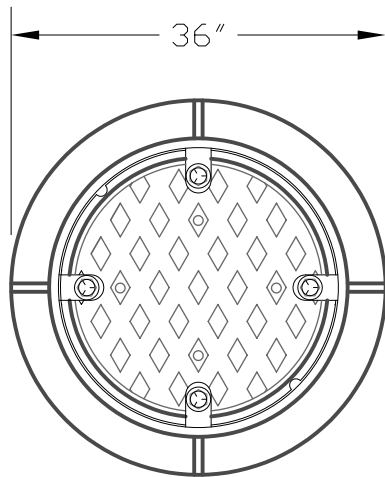
MH FRAME & COVER

NEENAH FOUNDRY MODEL R-1772-C
EAST JORDAN IRON WORKS MODEL 1022
MANHOLE FRAME WITH SOLID LID OR
EQUAL.



MH FRAME & COVER

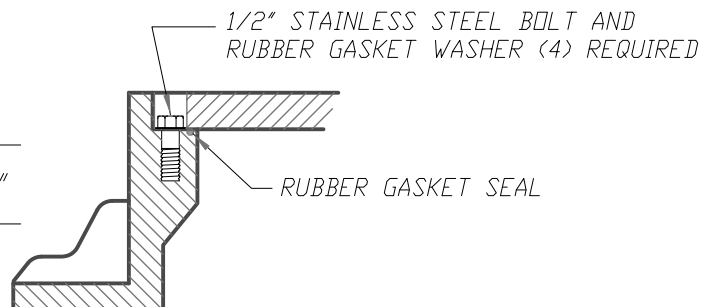
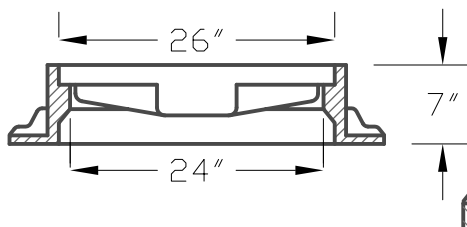
N.T.S.



MANHOLE FRAME W/BOLTED LID

CASTING TYPE R-1916-F NEENAH
CASTING TYPE 1022-1 EAST JORDAN

WATERTIGHT MANHOLE FRAME WITH
BOLT DOWN SOLID LID OR EQUAL.



BOLT DOWN LID

N.T.S.